

# Maze Puzzle

Find your way out of the maze by solving each problems

## Exercise 01

Start

$(5+3=)$   $(6-3=)$   $(9-2=)$   $(8-3=)$   $(1+9=)$   $(9-4=)$   
 $(7+2=)$   $(4-1=)$   $(7+1=)$   $(6-1=)$   $(6+9=)$   $(10-6=)$   $(4+4=)$   $(4+0=)$   $(10-4=)$   $(5+9=)$   $(8-2=)$   $(2+8=)$   $(9+6=)$   
 $(3-1=)$   $(5+6=)$   $(9-9=)$   $(4+9=)$   $(2+6=)$   $(7+3=)$   $(4-2=)$   $(7-5=)$   $(5+5=)$   $(6+5=)$   $(6-0=)$   $(5+9=)$   $(5-1=)$

Finish

# Maze Puzzle

Find your way out of the maze by solving each problems

## ANSWER KEYS

### Exercise 01

Start

(5 + 3 = 8)

(6 - 3 = 3)

(8 - 3 = 5)

(1 + 9 = 10)

(9 - 4 = 5)

(7 + 2 = 9)

(6 - 1 = 5)

(9 - 2 = 7)

5 + 3 = 8

(4 - 2 = 2)

(6 - 1 = 5)    (6 + 9 = 15)

(10 - 6 = 4)    (4 + 4 = 8)

(3 - 1 = 2)    (5 + 6 = 11)    (9 - 9 = 0)

(4 + 9 = 13)    (2 + 6 = 8)    (7 + 3 = 10)

(7 + 1 = 8)

(4 + 0 = 4)

(10 - 4 = 5)    (5 + 9 = 14)

(9 - 9 = 0)

(5 + 5 = 10)

(8 - 2 = 6)

(6 - 0 = 6)

(5 + 9 = 14)

(5 - 1 = 3)

Finish

# Maze Puzzle

Find your way out of the maze by solving each problems

## Exercise 02

Start

(7 - 4 = \_\_\_)  
(2 + 8 = \_\_\_)  
(9 + 3 = \_\_\_)

(1 + 7 = \_\_\_)  
(4 - 1 = \_\_\_)

(8 - 4 = \_\_\_)

(10 - 4 = \_\_\_)

(7 + 2 = \_\_\_)  
(8 - 1 = \_\_\_)

(6 + 7 = \_\_\_)

(9 + 2 = \_\_\_)

(2 + 4 = \_\_\_)

(6 + 3 = \_\_\_)

(1 + 7 = \_\_\_)

(11 - 5 = \_\_\_)

(3 + 9 = \_\_\_)

(11 - 7 = \_\_\_)

(12 - 1 = \_\_\_)

(13 - 5 = \_\_\_)

(6 + 8 = \_\_\_)

(9 - 1 = \_\_\_)

(10 - 9 = \_\_\_)

(8 + 1 = \_\_\_)

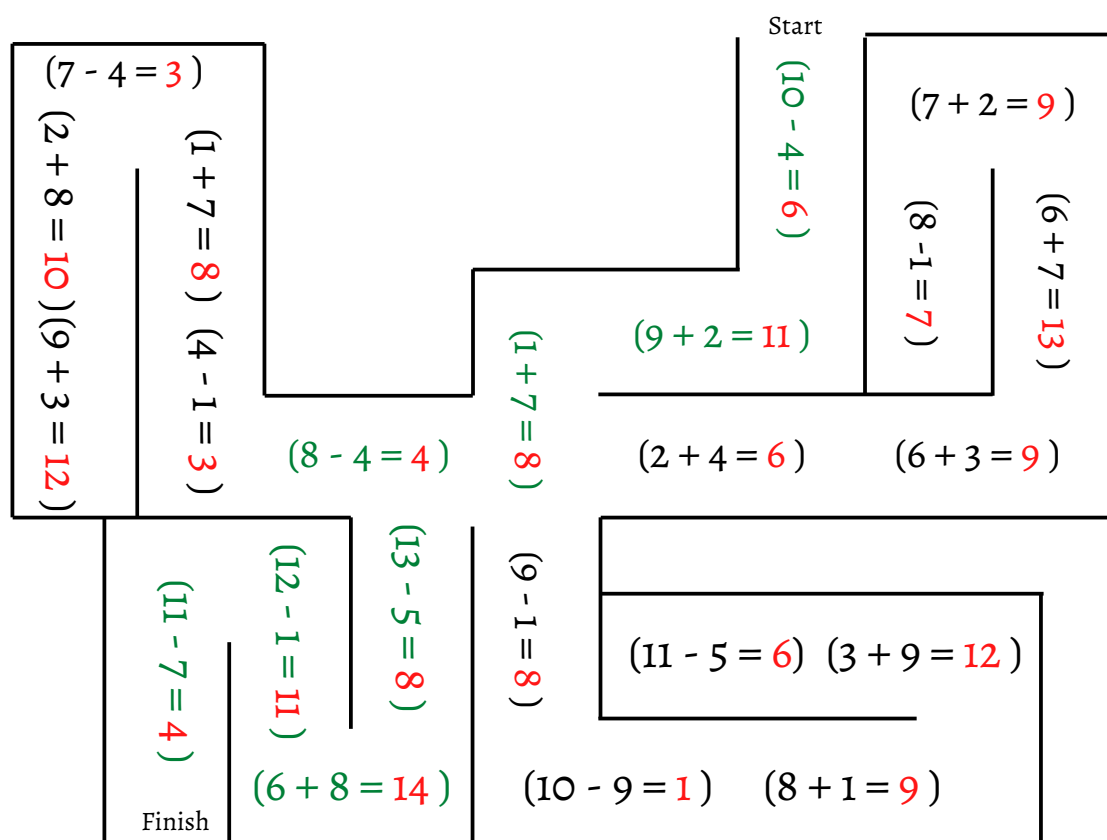
Finish

# Maze Puzzle

Find your way out of the maze by solving each problems

## ANSWER KEYS

Exercise 02



# Maze Puzzle

Find your way out of the maze by solving each problems

## Exercise 03

Start

Finish

(15 - 7 =     ) (8 + 12 =     ) (12 - 7 =     ) (8 + 9 =     ) (7 - 4 =     )

(1 + 12 =     ) (11 + 5 =     ) (6 + 9 =     ) (10 + 3 =     ) (9 - 9 =     ) (15 - 13 =     ) (9 + 10 =     )

(13 - 7 =     ) (11 - 6 =     ) (10 + 5 =     ) (15 - 11 =     ) (14 - 7 =     ) (10 - 10 =     ) (12 + 3 =     ) (12 + 5 =     ) (11 + 3 =     ) (20 - 12 =     )

(9 + 9 =     ) (12 - 11 =     ) (9 - 5 =     ) (12 + 6 =     ) (15 - 11 =     ) (2 + 14 =     ) (3 + 10 =     ) (9 + 9 =     )

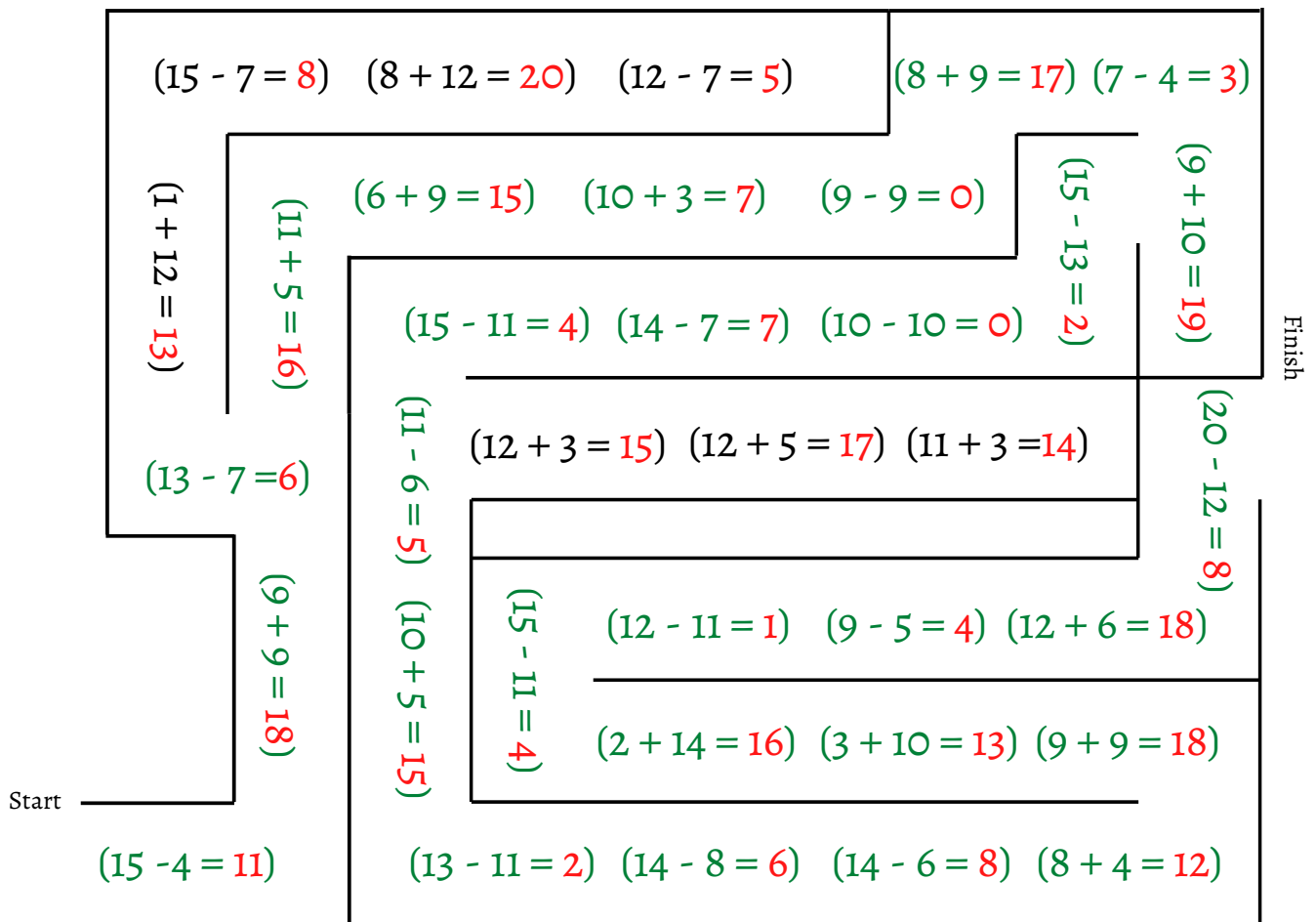
(15 - 4 =     ) (13 - 11 =     ) (14 - 8 =     ) (14 - 6 =     ) (8 + 4 =     )

# Maze Puzzle

Find your way out of the maze by solving each problems

## ANSWER KEYS

Exercise 03



# Maze Puzzle

## Level 02

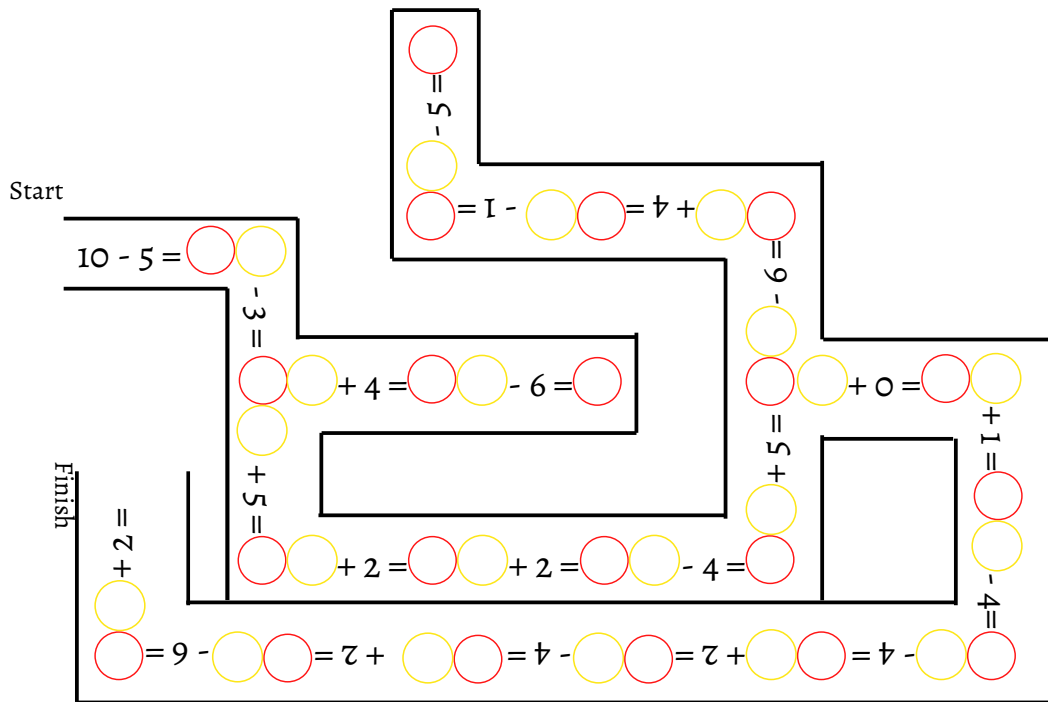
- Find your way out of the maze by solving each problems
- Each problems are connected to each other. Answer the first problem in the starting point. Your answer then will become the ADDEND or SUBTRAHEND for the next question

EXAMPLE

$$5 + 4 = \text{○} \text{○} - 7 = \text{○} \text{○} + 4 = \text{○}$$

$$5 + 4 = \text{⑨} \text{⑨} - 7 = \text{②} \text{②} + 4 = \text{⑥}$$

Exercise 04







# Maze Puzzle

## Level 02

- Find your way out of the maze by solving each problems
- Each problems are connected to each other. Answer the first problem in the starting point. Your answer then will become the ADDEND or SUBTRAHEND for the next question

EXAMPLE

$$5 + 4 = \text{ } - 7 = \text{ } + 4 = \text{ }$$

$$5 + 4 = 9 - 7 = 2 + 4 = 6$$

### Exercise 05

Start

Finish

# Maze Puzzle

Level 02

- Find your way out of the maze by solving each problems
- Each problems are connected to each other. Answer the first problem in the starting point. Your answer then will become the ADDEND or SUBTRAHEND for the next question

## ANSWER KEYS

### Exercise 05

